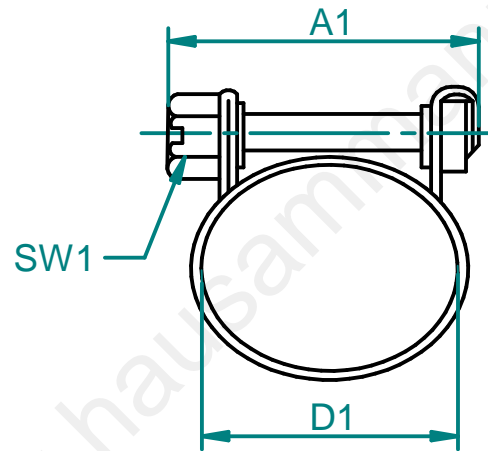


| General tolerances ISO 2768-m |      |              |                |                |                  | Index | Date | Visum | Modification | Index | Date | Visum | Modification |
|-------------------------------|------|--------------|----------------|----------------|------------------|-------|------|-------|--------------|-------|------|-------|--------------|
| Basic-size                    | ...6 | > 6<br>...30 | > 30<br>...120 | >120<br>...400 | > 400<br>...1000 |       |      |       |              |       |      |       |              |
| medium                        | ±0.1 | ±0.2         | ±0.3           | ±0.5           | ±0.8             |       |      |       |              |       |      |       |              |



| Specifications points D,K,H |  |
|-----------------------------|--|
| D= doc.points               |  |
| K= critical                 |  |
| H= main                     |  |

|                                                          |                  | Material:                                                      |            |                                                             |  |
|----------------------------------------------------------|------------------|----------------------------------------------------------------|------------|-------------------------------------------------------------|--|
| Accord-draw.no.:                                         | Origin-draw.no.: | Replacement for:                                               | Scale      |                                                             |  |
|                                                          |                  |                                                                | 38.300     |                                                             |  |
|                                                          |                  |                                                                | Solid Edge |                                                             |  |
| <b>HAUSAMMANN</b><br>KOMONENTEN<br>PRODUKTION<br>SYSTEME |                  | Format                                                         | Index      |                                                             |  |
|                                                          |                  |                                                                | A4         | 00                                                          |  |
|                                                          |                  | © 2010, Für dieses Dokument behalten wir uns alle Rechte vor.  |            | © 2010, Nous nous reservons tous les droits sur ce document |  |
|                                                          |                  | © 2010, We reserve all rights in connection with this document |            |                                                             |  |